



EV U1 MF Series Battery

EV U1 MF series battery is Deep Cycle battery specially designed for frequently charge and discharging application. By using heavy duty grids, thicker plates and specially active materials, which the battery can offer 80% more cycle life than general AGM batteries, they are special design for Garden machinery power application.

Applications

- Garden Machinery
- Golf carts and Wheelchairs
- Floor Sweepers and Electric Vehicles

General Features

- Non-spillable construction
- Sealed and maintenance-free
- Excellent recovery from deep discharge
- High density active materials plates

Standards

- Compliance with IEC, BS, JIS and EU standards.
- UL, CE Certified
- ISO45001,ISO9001 and ISO14001 certified production facilities

Specifications

| | | |
|------------------|-------------------|---------------------------|
| Rated Voltage | 12V | |
| Nominal Capacity | 25Ah | (C ₂₀ , 10.5V) |
| Approx Weight | 8.0kg±3%(17.6lbs) | |
| Terminal | T4 | |

| | | |
|----------------------|--------|----------------------|
| Rated Capacity(25°C) | 25Ah | (20hr, 1.25A, 10.5V) |
| | 20.8Ah | (5hr, 4.16A, 10.5V) |
| | 18.3Ah | (3hr, 6.1A, 9.6V) |

| | | |
|-----------------------|----------|--|
| Max.Discharge Current | 250A(5s) | |
| Max.Charge Current | 6.25A | |

| | | |
|----------------------|-----------|--------------------|
| Operating Temp.Range | Discharge | -20~60°C(-4~140°F) |
| | Charge | -10~50°C(14~122°F) |
| | Storage | -20~60°C(-4~140°F) |

| | | |
|-------------------------------|--------|--|
| Nominal operating temperature | 25±5°C | |
|-------------------------------|--------|--|

| | | |
|----------------------------|-------------|--|
| Charge Voltage @25°C(77°F) | Cycle Use | Initial Charging Current less than 6.25A. Voltage 14.4V~15.0V at 25°C(77°F). |
| | Standby Use | Initial Charging Current less than 6.25A. Voltage 13.5V~13.8V at 25°C(77°F). |

| | | |
|---------------------------------|--------------|------|
| Temperature effects on capacity | 40°C (104°F) | 103% |
| | 25°C (77°F) | 100% |
| | 0°C (32°F) | 86% |
| | -15°C (5°F) | 65% |

| | | |
|----------------------|----------------------------------|-----|
| Self Discharge(25°C) | Capacity after 3 months storage | 91% |
| | Capacity after 6 months storage | 82% |
| | Capacity after 12 months storage | 65% |

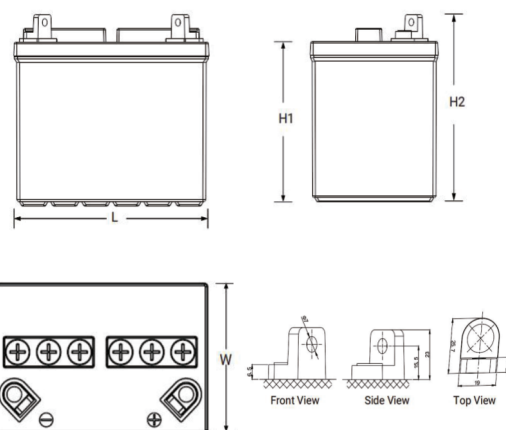
| | | |
|---------------|------|--|
| CCA (EN50342) | 270A | |
|---------------|------|--|

| | | |
|--|------|--|
| STORAGE CAPACITY:(DISCHARGE WITH 20A TO 10.5V) | 40Ah | |
|--|------|--|



Dimensions

unit:mm



| | |
|------------------|-----------------------|
| Length | 195±2mm (7.68 inches) |
| Width | 130±2mm (5.12 inches) |
| Container Height | 161±2mm (6.34 inches) |
| Total Height | 183±2mm (7.20 inches) |

Battery Construction

| Component | Positive plate | Negative plate | Container | Safety valve | Terminal | Separator | Electrolyte |
|--------------|----------------|----------------|-----------|--------------|----------|-----------|---------------|
| Raw material | Lead dioxide | Lead | PP | Rubber | LEAD | PE | Sulfuric acid |

Factory Address: Fukang industrial park, LongNan,GanZhou JianXi.
Office add: RM208-210, Building D, Tongju industrial Park,No.4, Longping West Road, Longgang District,Shenzhen.
TEL: +86-755-28288189

sales@sfbattery.com www.sfbattery.com